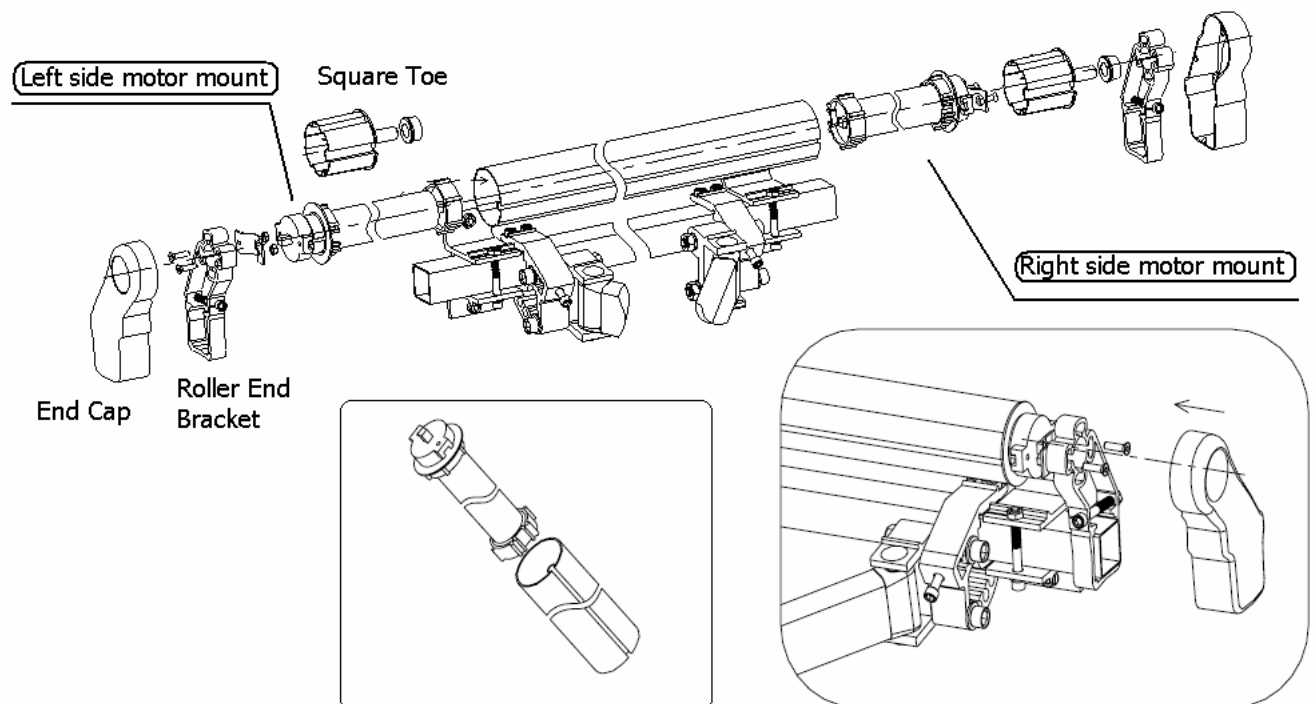


# INSTALLING A NEW MOTOR ON THE MANUAL AWNING

You must have a 110V outdoor electrical outlet on the wall to the either left or right side of the awning for a successful installation. Ideally it would be at 6' above the surface of the patio but standard height will work just fine.

**STOP!**

**YOU MUST REMOVE THE AWNING FROM THE MOUNTING BRACKET AND LAY IT SAFELY ON THE GROUND. THIS MUST BE DONE IN THE RETRACTED POSITION. THE ARMS SHOULD BE TIED CLOSED BEFORE REMOVING IT FROM THE BRACKETS.**



- After your awning is safely on the ground, remove the end cap
- **BE SURE THAT THE ARMS ARE TIED SECURELY**
- Un-tighten the roller end bracket securing bolts and remove the bracket from the torsion bar by sliding it to the left end of the bar
- Remove the gear as you no longer need it to operate the motorized awning
- Remove the square toe as you no longer need it (motor will replace square toe)
- Install the motor by sliding it all the way into the end of the roller tube
- Attach the hardware as it is shown in the diagram
- Re-install the roller end bracket by sliding the bracket onto the end of the torsion bar. Tighten the nuts on the securing bolts of the roller end bracket and put the cotter pin in the shaft hole to hold it in place.
- Install the left end cap
- Install the wand eye on the bottom of the shaft on the motor with the spring clip provided. **DO NOT INSTALL OR USE A WAND UNLESS THE MOTOR IS TURNED OFF.**
- Safely re-install and secure the awning to the mounting brackets

- Carefully remove the ties from the arms
- Plug in the motor
- Install the wireless control bracket in a covered area nearby. It should already be set to the same frequency of the motor. Press the lower button to project the awning. Press the middle button to stop. Press the upper button to retract the awning.



### **MODEL – SH3      Remote Control**

The Awntech Tubular Motor operates at a maximum distance of 150 feet.

#### **Technical Specifications:**

- Power Supply -            12V battery
- Protecting Index        -        IP30
- Working Temp.         -        23 degrees F to 160 degrees F

The Maui<sup>®</sup> motorized awning is programmed to extend and retract fully. This motor has manual over-ride option available. In case of power failure you can retract or extend the awning by using the rocker handle.

#### **Battery Life:**

**Expected life of the battery (3W) is 3 years with operating load of 3 to 4 times a day. If the battery is low, the LED on the front of the remote control will not light up or send signal to the receiver. To change the battery, open the back panel of the remote control and replace the battery.**

#### **Trouble Shooting:**

1. If the LED light on the remote control is off:
  - Please check the battery
2. If the LED light is red on the remote control and the motor doesn't function:
  - Please check the power supplies to both the receiver and the motor
  - Check cable connections
  - The motor has an internal temperature control and shuts off the motor for twenty minutes until the motor cools off. So...wait for twenty minutes and then try to operate it

**In case of an emergency or if you have questions, contact our technical support team at 800-203-7049 M-F (9-5 CST).**

### **Programming:**

- Press the round button on the transmitter to choose a channel (If you are choosing a single channel you do not need to make a choice)
- Plug in the receiver and listen for 5 beeps. During the 5 beep process, press the "UP" button on the transmitter. Please make sure you do this during the course of the 5 beeps.
- Release the "UP" button when you hear the first of the 3 beeps confirming memorization.
- It will return to the original status if you do not press the transmitter "UP" button within these 5 seconds
- Add the new transmitter (power remains on)
- Press and hold down the **old** transmitter "STOP" button (about 5 seconds) until you hear 5 beeps from the receiver then release. The receiver will be programmed.
- Press and hold down the **new** transmitter "UP" button until you hear 3 beeps from the receiver then release. This will confirm the programming.

**The receiver can only store up to 10 transmitter memories. If an 11<sup>th</sup> channel is input, the receiver will regard this as the first memory and delete all other stored memories.**

### **Deleting Stored Memories: (for pre-programmed transmitters)**

Press and hold down the transmitter "STOP" button (about five seconds) until you hear 5 beeps from the receiver. At the same time, press the setting button on the back of the transmitter. All stored memories will be deleted.

### **Changing button directions: (for pre-programmed transmitters)**

Press and hold down the old transmitter "STOP" buttons (about 5 seconds) until you hear 5 beeps, then release. Press the transmitter "DOWN" button until you hear 3 beeps. Once this happens the direction has been changed.

### **Replacing The Transmitter Battery:**

- Remove the screw from the back using a small Phillips head screwdriver, and remove the back cover
- Take out the old battery and replace it with a new one ( type 23A 12VDC).
- Replace the back cover.

# HOW TO ADJUST LIMIT CONTROLS ON YOUR REMOTE

## LIMIT CONTROL ADJUSTMENT FOR REMOTE/MOTOR

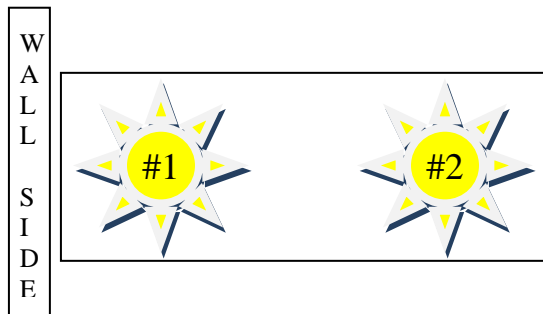
### **MOTOR Model SH-03**

#### **Limit Adjustment Control Operation**

**VERY IMPORTANT:  
YOU MUST ADJUST THE CONTROLS FROM THE BOTTOM OF THE MOTOR**

**The motor has internal temperature cutoff switch. If the motor gets too hot it will stop working, it will start working after 20 minutes or as soon as motor cools down. Do not worry, this motor has manual override option and you can always open or close the awning manually by using the crank handle.**

This motor has a limit control switch to control the extension and retraction of your unit. The limit adjustments controls are in **Yellow Color** are located next to the electrical cord of the motor. In order to adjust the limit controls you would need to insert the tool looks like wand to turn the controls either "clock wise" or "counter clock wise"



LIMIT CONTROLS (WHEN YOU LOOK UP)

#### **LEFT MOTOR MOUNT (when you face the house):**

If the awning stops from closing completely:

1. Identify the limit control (away from the wall – #2)
2. If the awning stops from retracting completely, then turn the control "COUNTER CLOCK WISE" direction (one turn at a time) until it retracts completely.

If the motor continues to turn even after the awning completely retracted then do the following:

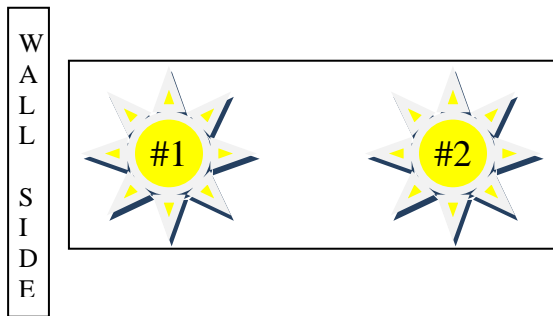
1. Identify the limit control (away from the wall – #2)
2. Stop by pressing the stop button
3. Extend the awning about two feet and then
4. Then turn the control "CLOCK WISE" (three full turns) and then push the button to retract. If the awning still continues to retract more then repeat the steps until it is completely adjusted.

If the awning doesn't extend fully or to your desired extension then do the following:

1. Identify the limit control (close to the wall – #1)
2. If the awning doesn't extend fully or to your desired extension, then turn the control #1 "COUNTER CLOCK WISE" until it opens completely or it reaches till your desired extension

If the awning continues to extend beyond your desired extension, then do the following:

1. Stop by pressing "Stop" button
2. Retract the awning by pressing "Retract" button for about two to three complete turns and press "Stop" to stop it from further retracting
3. Turn the control # 1 "CLOCK WISE"
4. Press to extend, if it extends still too much then
5. **Repeat** the above steps until it reaches your desired extension.



LIMIT CONTROLS (WHEN YOU LOOK UP)

### **RIGHT MOTOR MOUNT (when you face the house):**

If the awning stops from closing completely:

1. Identify the limit control (close to the wall – #1)
2. If the awning stops from retracting completely, then turn the control #1 "CLOCK WISE" direction (one turn at a time) until it retracts completely.

If the motor continues to turn even after the awning completely retracted then do the following:

1. Identify the limit control (close to the wall – #1)
2. Stop by pressing the stop button
3. Extend the awning about two feet and then
4. Then turn the control "COUNTER CLOCK WISE" (three full turns) and then push the button to retract. If the awning still continues to retract more then repeat the steps until it is completely adjusted.

If the awning doesn't extend fully or to your desired extension then do the following:

1. Identify the limit control (away from the wall – #2)
2. If the awning doesn't extend fully or to your desired extension, then turn the control #2 "CLOCK WISE" until it opens completely or it reaches till your desired extension

If the awning continues to extend beyond your desired extension, then do the following:

1. Stop by pressing "Stop" button
2. Retract the awning by pressing "Retract" button for about two to three complete turns and press "Stop" to stop it from further retracting
3. Turn the control # 2 "COUNTER CLOCK WISE"
4. Press to extend, if it extends still too much then
5. **Repeat** the above steps until it reaches your desired extension.

You can always use extend and retract manually by pressing the controls on your remote control.